

محور الأرض
GLOBAL AXIS

HALO CANOPY LIGHT 2021



www.gaxisintl.com

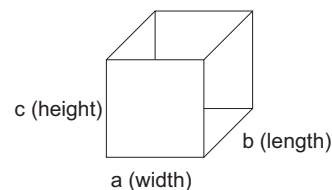
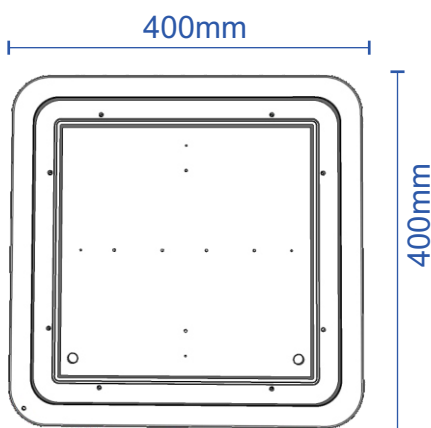
G-AXIS has been renowned for its range of industrial lighting in Oman, offering lighting solutions for the harshest of environments.

We proudly introduce to you the 'HALO' series, which is an outcome of experienced designers, producing light that is robust to counter the middle east environment.

Not only is 'HALO' an energy efficient series, but is also easy to install and maintain.

The new 'HALO' with improved efficiency and higher power - 150W / 180W.

- 100/150/180W total power consumption
- 170 lm/W fixture efficiency
- IP66 class protection class
- Housing designed specially for LED light source
- Engineered to operate in harsh, hot and very hot conditions
- Over 60,000 hours product life according to LM80 and TM21 standard
- Special design monoblock cooling system
- Aluminum PCB (2.0 W/mK)
- Etial 150 aluminium injection cooler
- Electrostatic powder coating
- SMD PCB connector
- Special silicone gasket
- High quality connection parts
- Multiple mounting options
- Photometric measurements according to IESNA-LM-79-08 standard



PRODUCT NET WEIGHT	7013gr
BOX DIMENSIONS (a×b×c)	450×440×160mm
BOX WEIGHT	8942gr
PRODUCT QUANTITY (per box)	1

When the product accessories changes, there may be a difference of ± 200 gr. in weight

Technical Specification

PRODUCT NAME	UNDERCANOPY LIGHTING - HALO SERIES		
MAINS POWER	100W±%5	150W±%5	180W±%5
FIXTURE LUMEN	17000Lm	25,500Lm	30,600Lm
LED BRAND	NICHIA / LUMILEDS		
CRI	>70		
ANGLE	100°		
INPUT VOLTAGE	100-240V AC		
PF	>0.90		
FIXTURE EFFICIENCY	170 lm/W		
IP RATING	IP66		
PROTECTION CLASS	CLASS I / CLASS II		
PRODUCT LIFE SPAN (L70)	≥60,000 HOURS		
OPERATING TEMPERATURE (°C)	-40°+55°		
BODY MATERIAL	CAST ALUMINIUM		
OPTICAL COVER	TEMPERED EXTRA CLEAR GLASS		

Additional Features



DIMMABLE



DALI



ZIGBEE



DAYLIGHT
SENSOR



WIFI



MOVEMENT
SENSOR

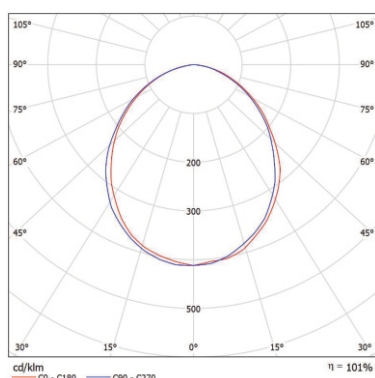


TIMER



EMERGENCY

Light Distribution



Parts

G-AXIS
Oman

PHILIPS
LUMILEDS

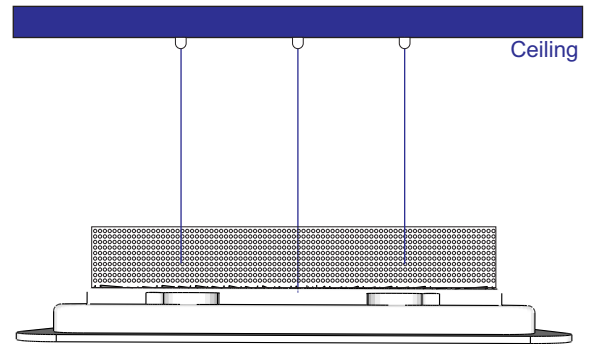
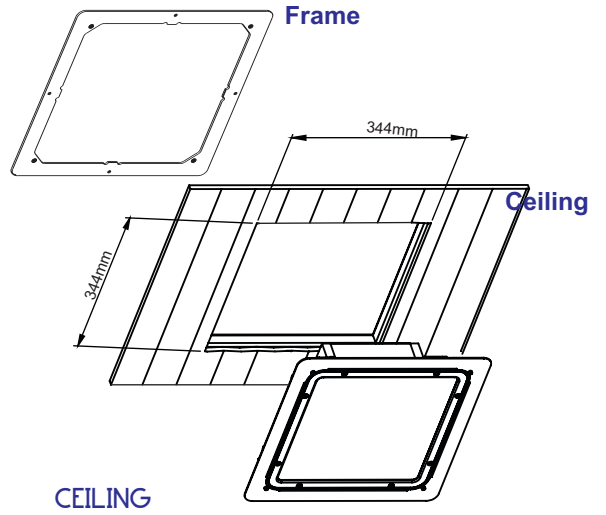
NICHIA

MW
MEAN WELL

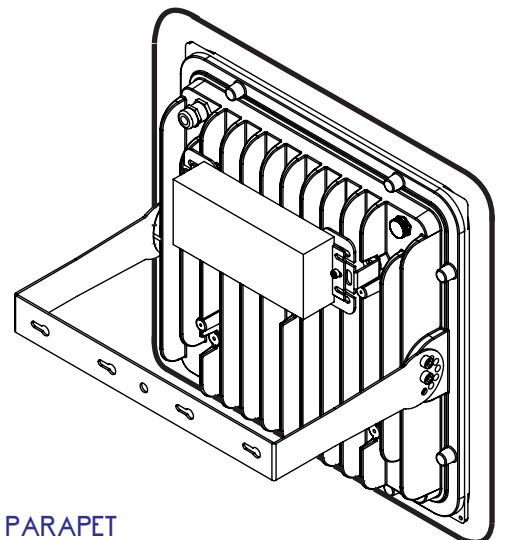
Applications:



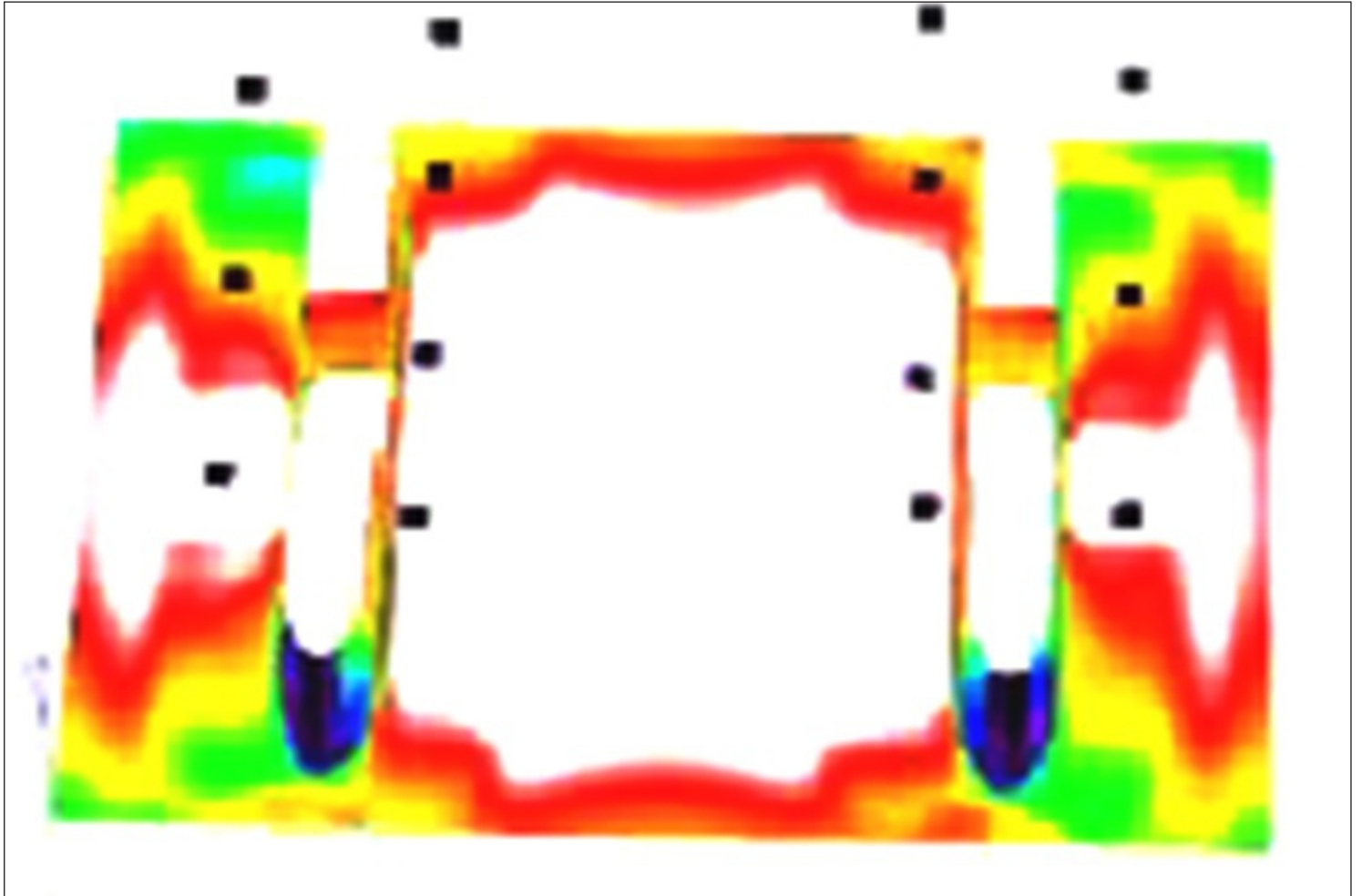
Mounting Options:



SUSPENSION



Dialux Simulation



0 62.50 125 187.50 250 312.50 375 437.50 500

lx

Projects / Clients

Proud to cater...
125+ stations
Over 2500 lights



Other Related Products



LED FLOOD LIGHTS
50W - 600W



LED STREET LIGHTS
80W - 300W



LED EXPLOSION PROOF
50W - 200W