

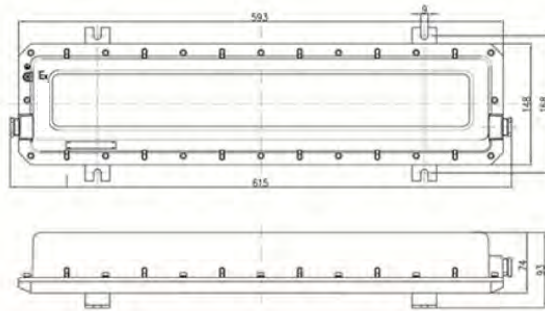
## LED Explosion proof light

**(Explosion Proof grade : Ex d IIBT 6 GB)**

### Range of application

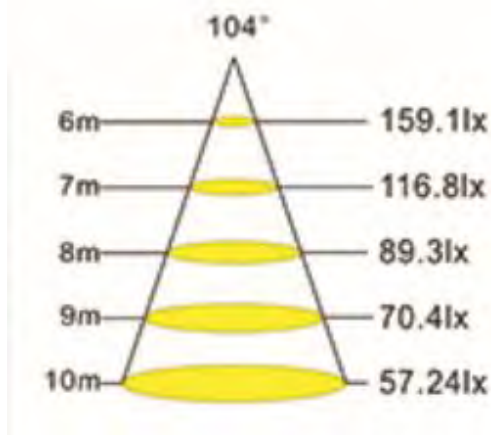
- Ideal for Oil production, petroleum refining , chemical industry, military project, watercraft industry etc.
- Energy-saving reconstruction & inconvenience of maintenance and replacement .
- Zone 1 & zone 2
- Area 21 &22
- IIA & IIB
- T1-T6

### Product Image

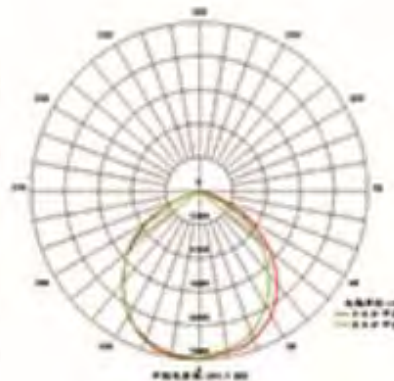


### Optical Performance

Isolux Line



Distribution Curve



Add: P.O BOX,1604, P.C 130, Azaiba, Sultanate of Oman

Tel: +968 24597462

Fax: +968 24597463

Web: [www.gaxisintl.com](http://www.gaxisintl.com)

### Technical Parameters

Item	Model	GA07-MFB/40W
LED Consumption		20W,30W,40W,50W,60W
System Consumption		21W,32W,42W,52W,63W
Input Voltage		AC100~277V
Working Power Frequency Range		50Hz/ 60Hz
Power Factor		> 0.95
Total Harmonic Distortion		<25%
Working Environment		Working temperature: -25°C~ +45°C ; Working humidity: 0~100%
Average Temperature in 24 hrs		≤35°C
Surface Highest Temperature		≤60°C
Junction Temperature(TJ)		<70°C
Lamp Luminous Efficacy Lm/W		≤120Lm/W
Lamp Initial Flux (Lm)		LED consumption * 120 lm/w
Lamp Efficiency(%)		≤90%
Color Temperature		3000K~7000K
Color Rendering Index(CRI)		Ra>70
LED Life Span		>50000 h
Protection Grade		IP65
Lens Light Transmittance		≤90%
Beam Angle		100°
Net weight		5.5Kg
Gross weight		5.9Kg
Packingsize		L63.5×W 18×H97cm

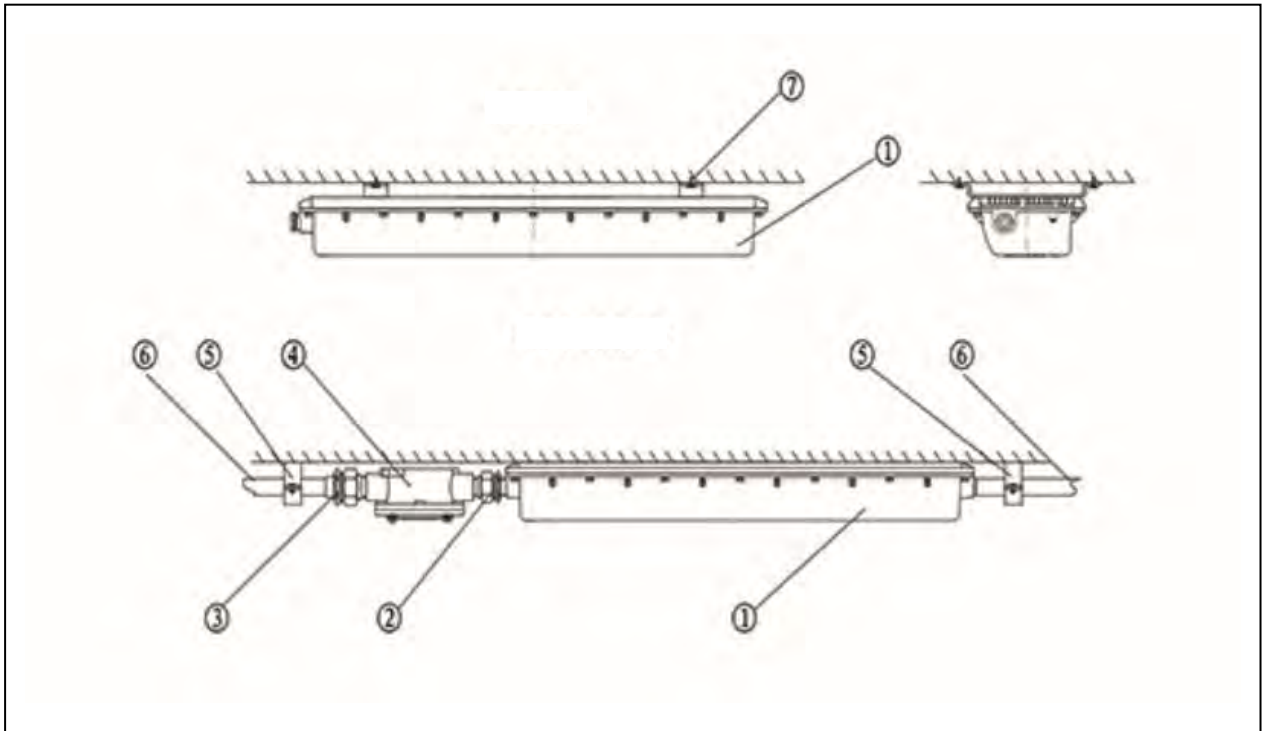
Add: P.O BOX,1604, P.C 130, Azaiba, Sultanate of Oman

Tel: +968 24597462

Fax: +968 24597463

Web: www.gaxisintl.com

## Mounting



Add: P.O BOX,1604, P.C 130, Azaiba, Sultanate of Oman

Tel: +968 24597462

Fax: +968 24597463

Web: [www.gaxisintl.com](http://www.gaxisintl.com)