



## Description

HiFar LED High bay is the right replacement for 1000W and 2000W HID, up to 96000lm. As a high bay, it is the brightest one in the world. As a flood light, it can make full use of lights and avoid lighting pollution with the visor Cap.

## Key Features

- Cold-forged heat sink with excellent heat dissipation while keeping the lamps in smaller size.
- High efficacy up to 160 lm/w.
- Beam angle: 15°, 30° and 60°, 120° optional.
- Can be used as both High Bay and Flood Light.

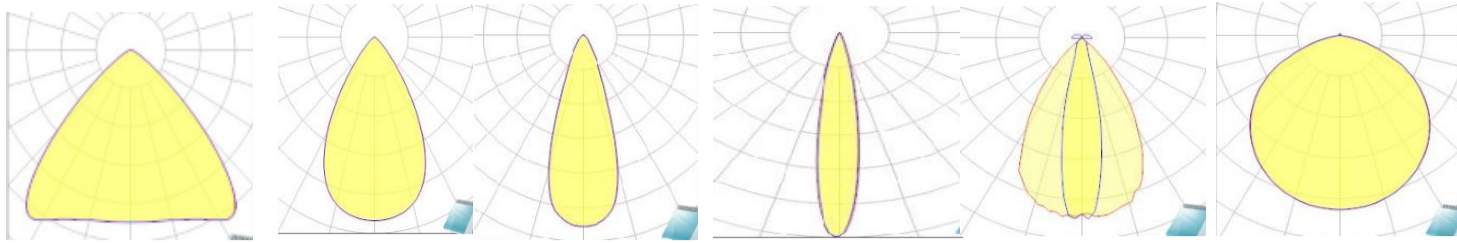
## Applications

- High ceiling application
- Large equipment factory
- Exhibition Center
- Stadium Hangar/Airport

## Specifications

<b>Model No.</b>	HB17-450	HB17-600
<b>Power Consumption</b>	450±13W	600±18W
<b>LED Type</b>	SEOUL LED	
<b>Luminous Flux</b>	72000(±5%)LM	96000(±5%)LM
<b>Efficacy</b>	160(±5%)lm/w(5000K Ra70)	
<b>Correlated Color Temperature</b>	5000K (3000K, 4000K optional)	
<b>Color Rendering Index</b>	Ra70 (Ra80 optional)	
<b>Beam Angle</b>	H31201 H31202 H31203 H29201 H29202 H00A07	
<b>Power Supply</b>	MeanWell	Inventronics
<b>Input Voltage</b>	100-240 VAC / 100-277 VAC	
<b>Power Factor</b>	>0.92	
<b>Frequency</b>	50 / 60 Hz	
<b>Surge Protection</b>	2kV line-line, 4kV line-earth	6kV line-line, 10kV line-earth
<b>Driver Type</b>	Constant Current (CC)	
<b>Product Dimension</b>	Φ454×244mm (Φ17.87"×9.61")	Φ454×244mm (Φ17.87"×9.61")
<b>Luminaire Net Weight</b>	11.2±0.3kg (24.69±0.66Lbs)	11.9±0.3kg (26.23±0.66Lbs)
<b>Export Carton Size</b>	524×305×528mm (20.63"×12.01"×20.79")	524×305×528mm (20.63"×12.01"×20.79")
<b>Gross Weight</b>	12.2±0.3kg (26.9±0.66Lbs)	12.9±0.3kg (28.44±0.66Lbs)
<b>Material</b>	<b>Housing</b>	Aluminum Alloy
	<b>Optics</b>	Tempered Glass or Polycarbonate Optical Lens
<b>Finish</b>	Powder Coating	
<b>Fixture Color</b>	All Black	
<b>IP Rating</b>	IP65	
<b>Mounting Option</b>	Loop Hanging / Bracket Mounting	
<b>Operating Temperature</b>	-30°C to +50°C (-22°F to +122°F)	
<b>Life Time</b>	>50,000Hrs(Ta=30°C@L70)	
<b>Warranty</b>	5 Years	
<b>Dimmable</b>	Non-dimmable	1-10V Dimmable
<b>Intelligent Control</b>	DALI Control / Motion Sensor / ZigBee Control	
	Daylight Sensor / PIR Sensor	
	<b>PC Optics Lens</b> -30° 15°,60°,20x60°,90°	
	<b>Plug</b> - EU/US Standard Plug	

## Photometry



H31201

H31202

H31203

H29201

H29202

H00A07

## Mounting Options

Bracket

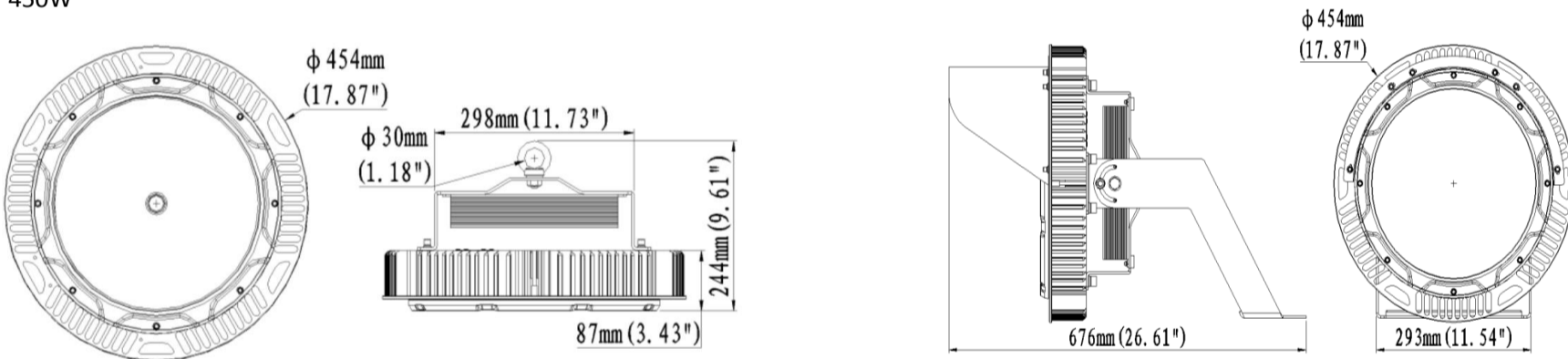


Loop Hanging

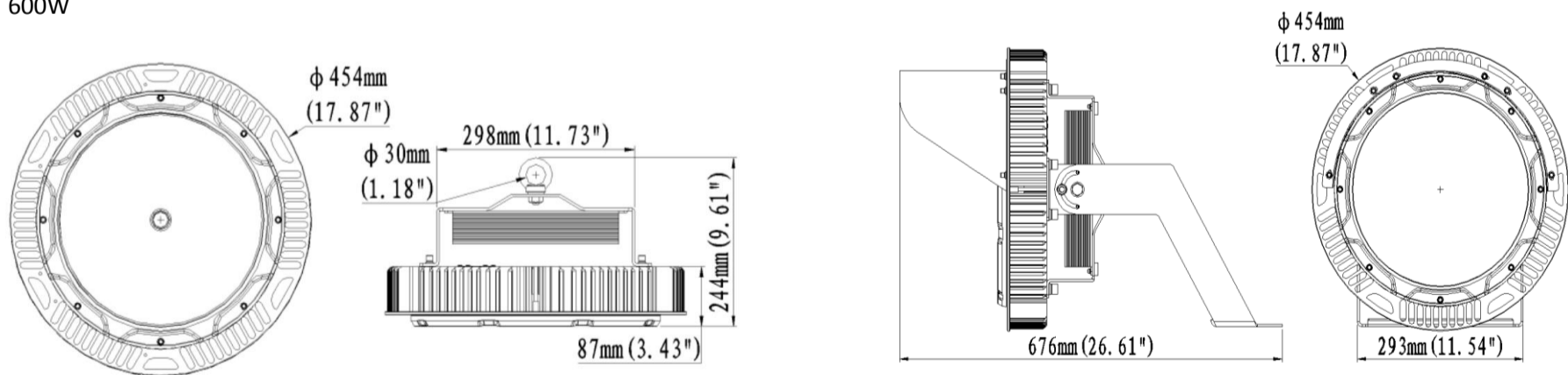


## Dimensions

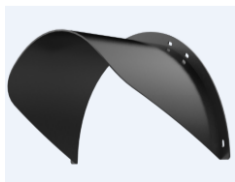
450W



600W



## Accessories



visor



PC Lens