

**STREET LIGHT
SERIES**

GA118-STB19



Together, for a brighter future

Global Axis Co. LLC (HQ Oman)

LED LIGHTS & SOLAR SOLUTIONS

TEL: +968-24597462, FAX : +968-24597463

TOLL FREE : 8000 3000

info@gaxisintl.com

www.gaxisintl.com



GA118-STB19

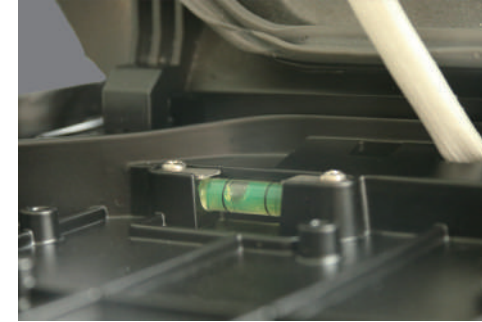


- Innovative Detachable Solution
- Aesthetically Streamlined Design
- Future-proof and Smart-ready

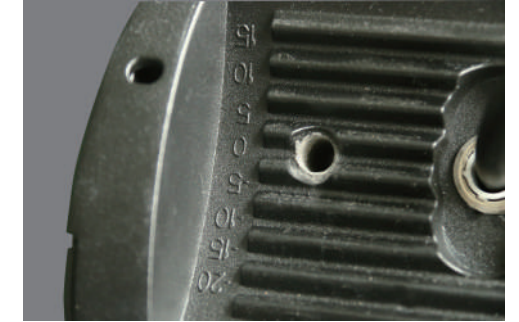
GA118-STB19

Detachable · Streamlined · Future-proof · Versatile

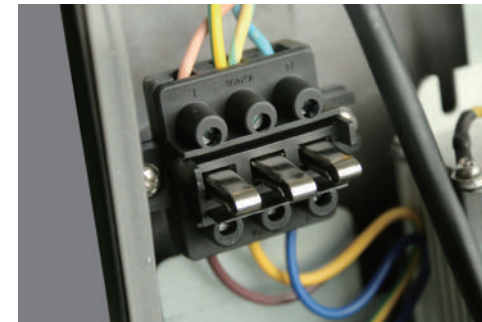
Details



Balance Device



Adjustable Angle



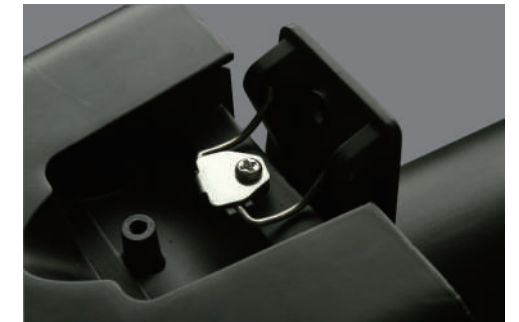
Automatic Power-off Switch



Respirator



Compatible With NEMA Socket



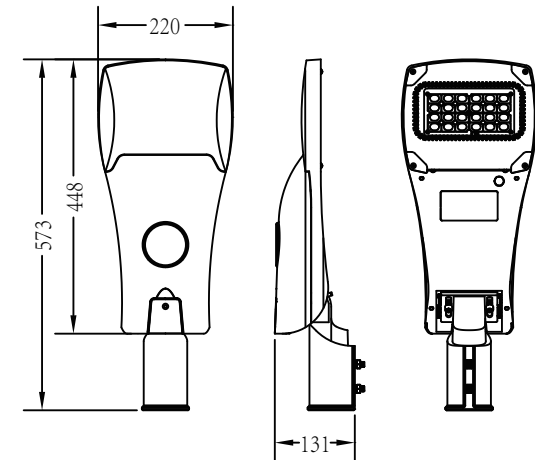
Tool - free Buckle

- Innovative detachable solution actualizes on-the-spot maintenance
- Pioneering vertical plugged hinge facilitates safer maintenance
- Side entry and post top optional with -20 to 15° tilt steps
- Φ42, 60, 76mm spigot adapter options
- Future-proof and smart-ready with NEMA and Zhaga based controls
- 5 product sizes ranging from 25 to 300W
- Compatible with solar lighting system

MICRO



015 / 025 / 035 / 045
GA118-STB19



Basic

Light source brand : Osram / Lumileds
Power brand : Inventronics / MOSO / Osram
Insulation Class : Class I / Class II (optional)
Protection Degree : IP66 / IK08
Color Temperature :3000 / 4000 / 5000 ± 300K
5700 / 6500 ± 500K
Pole Diameter : Ø 60mm / Ø42 / Ø76mm (optional)

Environment

Operating Temperature: -40°C~ 50°C
Operating Humidity: 10% ~ 90% RH
Storage Temperature: -40°C~ 55°C

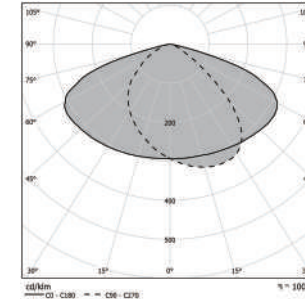
Electronics

Rated Input Voltage: 100-277 V
Frequency: 50/60Hz
Power Factor: 0.95
Surge Protection: 10kV / 20kV
Control system: Photocontrol(NEMA)
Timer Dimming / 0-10V Dimming
/DALI Dimming / Solar Compatible (optional)

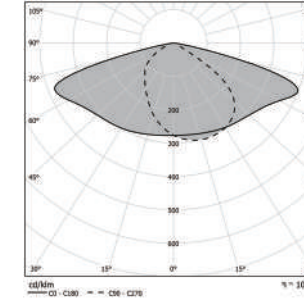
Structure

Max Projected Area: 0.10m²
Housing Material: Die-casting Aluminum
luminaire Dimension: 573×220×131 mm
Packing Dimension: 502×275×200 mm
Net Weight: 3.6 ± 0.2 Kg
Gross Weight: 4.6 ± 0.2 Kg

Model Options



540



618

3030 Light source

Power (W)	LED QTY (pcs)	Light Distribution	4000K Ra70@Ta=25 C		3000K Ra70@Ta=25 C	
			Luminaire Efficiency	Luminous Flux	Luminaire Efficiency	Luminous Flux
15	16	540	125 lm/w	1875	117 lm/w	1750
25	32	540	125 lm/w	3125	117 lm/w	2917
35	40	540	125 lm/w	4375	117 lm/w	4083
45	48	540	125 lm/w	5625	117 lm/w	5250

5050 Light source

Power (W)	LED QTY (pcs)	Light Distribution	4000K Ra70@Ta=25 C		3000K Ra70@Ta=25 C	
			Luminaire Efficiency	Luminous Flux	Luminaire Efficiency	Luminous Flux
15	12	540	140 lm/w	2100	130 lm/w	1950
25	18	540	140 lm/w	3500	130 lm/w	3250
35	24	540	140 lm/w	4900	130 lm/w	4550
45	24	540	140 lm/w	6300	130 lm/w	5850

Power (W)	LED QTY (pcs)	Light Distribution	4000K Ra70@Ta=25 C		3000K Ra70@Ta=25 C	
			Luminaire Efficiency	Luminous Flux	Luminaire Efficiency	Luminous Flux
15	12	618	150 lm/w	2250	140 lm/w	2100
25	18	618	150 lm/w	3750	140 lm/w	3500
35	24	618	150 lm/w	5250	140 lm/w	4900
45	24	618	150 lm/w	6750	140 lm/w	6300

The luminaire efficacies are the typical values, ±7% tolerance is reserved.

MINI

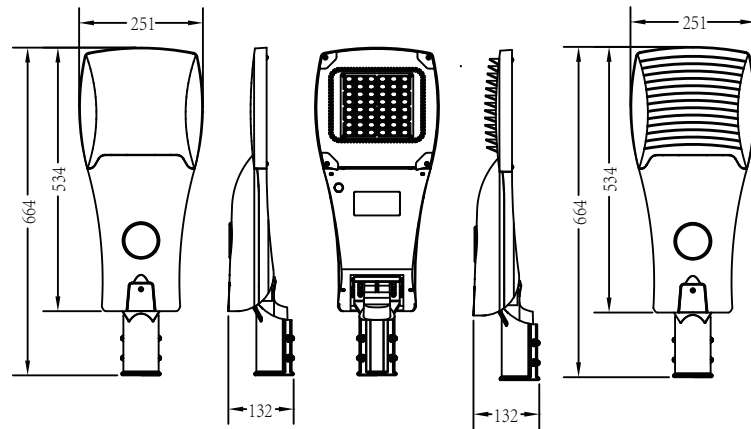


060



090

GA118-STB19



Basic

Light source brand : Osram / Lumileds
 Power brand : Inventronics / MOSO / Osram
 Insulation Class : Class I / Class II (optional)
 Protection Degree : IP66 / IK08
 Color Temperature : 3000 / 4000 / 5000 ± 300K
 5700 / 6500 ± 500K
 Pole Diameter : Ø 60mm / Ø42 / Ø76mm (optional)

Environment

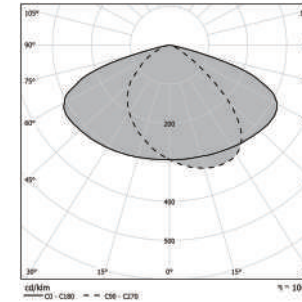
Operating Temperature: -40°C~ 50°C
 Operating Humidity: 10% ~ 90% RH
 Storage Temperature: -40°C~ 55°C

Electronics

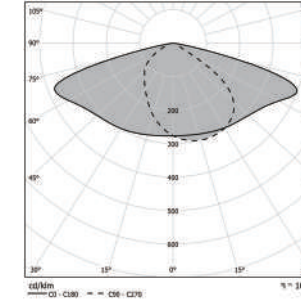
Rated Input Voltage: 100-277 V
 Frequency: 50/60Hz
 Power Factor: 0.95
 Surge Protection: 10kV / 20kV
 Control system: Photocontrol(NEMA)
 Timer Dimming / 0-10V Dimming
 /DALI Dimming / Solar Compatible (optional)

Structure

Max Projected Area: 0.15m²
 Housing Material: Die-casting Aluminum
 luminaire Dimension: 664×251×132 mm
 Packing Dimension: 585×305×205 mm
 Net Weight: 4.7 ± 0.2 Kg / 5.8 ± 0.2 Kg
 Gross Weight: 5.0 ± 0.2 Kg / 6.1 ± 0.2 Kg



540



618

Model Options

3030 Light source

Power (W)	LED QTY (pcs)	Light Distribution	4000K Ra70@Ta=25 C		3000K Ra70@Ta=25 C	
			Luminaire Efficiency	Luminous Flux	Luminaire Efficiency	Luminous Flux
60	64	540	125 lm/w	7500	117 lm/w	7000
90	96	540	125 lm/w	11250	117 lm/w	10500

5050 Light source

Power (W)	LED QTY (pcs)	Light Distribution	4000K Ra70@Ta=25 C		3000K Ra70@Ta=25 C	
			Luminaire Efficiency	Luminous Flux	Luminaire Efficiency	Luminous Flux
60	24	618	140 lm/w	8400	130 lm/w	7800
90	30	618	140 lm/w	12600	130 lm/w	11700

Power (W)	LED QTY (pcs)	Light Distribution	4000K Ra70@Ta=25 C		3000K Ra70@Ta=25 C	
			Luminaire Efficiency	Luminous Flux	Luminaire Efficiency	Luminous Flux
60	30	618	150 lm/w	9000	140 lm/w	8400
90	42	618	150 lm/w	13500	140 lm/w	12600

The luminaire efficacies are the typical values, ±7% tolerance is reserved.

MIDI

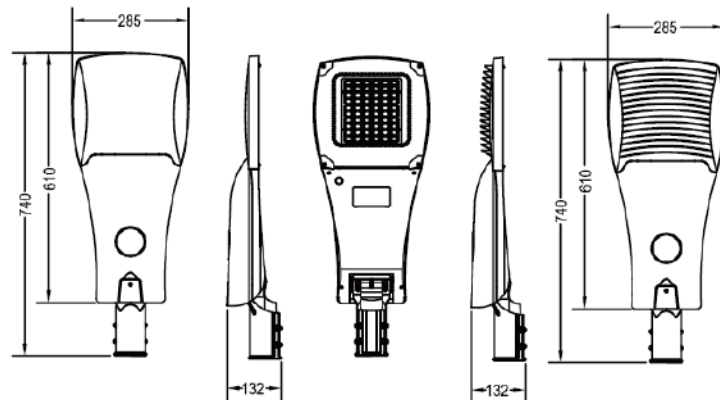


120



090

GA118-STB19



Basic

Light source brand : Osram / Lumileds
 Power brand : Inventronics / MOSO / Osram
 Insulation Class : Class I / Class II (optional)
 Protection Degree : IP66 / IK08
 Color Temperature :3000 / 4000 / 5000 ± 300K
 5700 / 6500 ± 500K
 Pole Diameter : Ø 60mm / Ø42 / Ø76mm (optional)

Environment

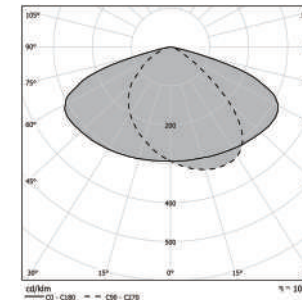
Operating Temperature: -40°C~ 50°C
 Operating Humidity: 10% ~ 90% RH
 Storage Temperature: -40°C~ 55°C

Electronics

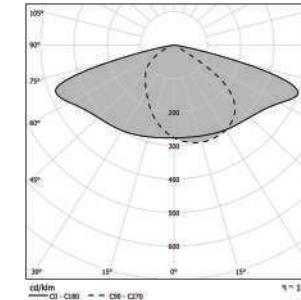
Rated Input Voltage: 100-277 V
 Frequency: 50/60Hz
 Power Factor: 0.95
 Surge Protection: 10kV / 20kV
 Control system: Photocontrol(NEMA)
 Timer Dimming / 0-10V Dimming
 /DALI Dimming / Solar Compatible (optional)

Structure

Max Projected Area: 0.20m²
 Housing Material: Die-casting Aluminum
 luminaire Dimension: 740×285×132 mm
 Packing Dimension: 675×360×205 mm
 Net Weight: 5.8 ± 0.2 Kg / 6.2 ± 0.2 Kg
 Gross Weight: 7.0 ± 0.2 Kg / 7.5 ± 0.2 Kg



540



618

Model Options

3030 Light source

Power (W)	LED QTY (pcs)	Light Distribution	4000K Ra70@Ta=25 C		3000K Ra70@Ta=25 C	
			Luminaire Efficiency	Luminous Flux	Luminaire Efficiency	Luminous Flux
90	96	540	125 lm/w	11250	117 lm/w	10500
120	120	540	125 lm/w	15000	117 lm/w	14000

5050 Light source

Power (W)	LED QTY (pcs)	Light Distribution	4000K Ra70@Ta=25 C		3000K Ra70@Ta=25 C	
			Luminaire Efficiency	Luminous Flux	Luminaire Efficiency	Luminous Flux
90	30	618	140 lm/w	12600	130 lm/w	11700
120	36	618	140 lm/w	16800	130 lm/w	15600

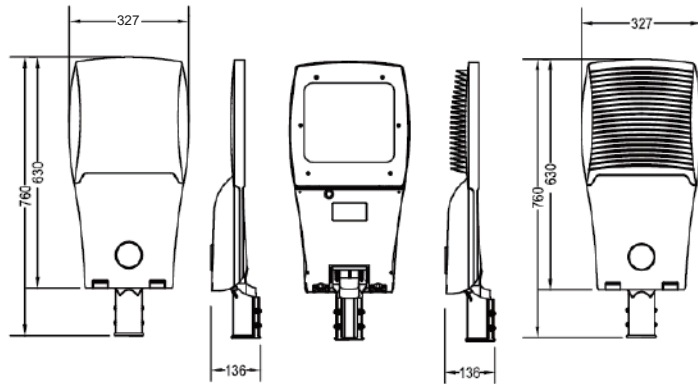
Power (W)	LED QTY (pcs)	Light Distribution	4000K Ra70@Ta=25 C		3000K Ra70@Ta=25 C	
			Luminaire Efficiency	Luminous Flux	Luminaire Efficiency	Luminous Flux
90	42	618	150 lm/w	13500	140 lm/w	12600
120	54	618	150 lm/w	18000	140 lm/w	16800

The luminaire efficacies are the typical values, ±7% tolerance is reserved.

MAXI



GA118-STB19



Basic

Light source brand : Osram / Lumileds
 Power brand : Inventronics / MOSO / Osram
 Insulation Class : Class I / Class II (optional)
 Protection Degree : IP66 / IK08
 Color Temperature : 3000 / 4000 / 5000 ± 300K
 5700 / 6500 ± 500K
 Pole Diameter : Ø 60mm / Ø42 / Ø76mm (optional)

Environment

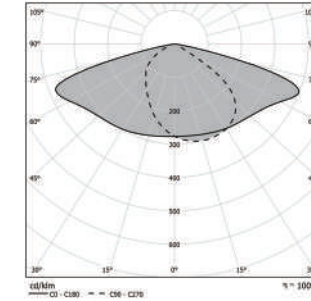
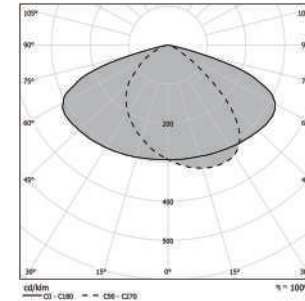
Operating Temperature: -40°C~ 50°C
 Operating Humidity: 10% ~ 90% RH
 Storage Temperature: -40°C~ 55°C

Electronics

Rated Input Voltage: 100-277 V
 Frequency: 50/60Hz
 Power Factor: 0.95
 Surge Protection: 10kV / 20kV
 Control system: Photocontrol(NEMA)
 Timer Dimming / 0-10V Dimming
 /DALI Dimming / Solar Compatible (optional)

Structure

Max Projected Area: 0.21m²
 Housing Material: Die-casting Aluminum
 luminaire Dimension: 760×327×136 mm
 Packing Dimension: 715×415×225 mm
 Net Weight: 7.8 ± 0.2 Kg / 8.5 ± 0.2 Kg
 Gross Weight: 9.3 ± 0.2 Kg / 10.0 ± 0.2 Kg



Model Options

3030 Light source

Power (W)	LED QTY (pcs)	Light Distribution	4000K Ra70@Ta=25 C		3000K Ra70@Ta=25 C	
			Luminaire Efficiency	Luminous Flux	Luminaire Efficiency	Luminous Flux
150	150	540	125 lm/w	18750	117 lm/w	17550
180	180	540	125 lm/w	22500	117 lm/w	21060
200	216	540	125 lm/w	25000	117 lm/w	23400

5050 Light source

Power (W)	LED QTY (pcs)	Light Distribution	4000K Ra70@Ta=25 C		3000K Ra70@Ta=25 C	
			Luminaire Efficiency	Luminous Flux	Luminaire Efficiency	Luminous Flux
150	48	618	140 lm/w	21000	130 lm/w	19500
180	56	618	140 lm/w	25200	130 lm/w	23400
200	56	618	140 lm/w	28000	130 lm/w	26000

Power (W)	LED QTY (pcs)	Light Distribution	4000K Ra70@Ta=25 C		3000K Ra70@Ta=25 C	
			Luminaire Efficiency	Luminous Flux	Luminaire Efficiency	Luminous Flux
150	64	618	150 lm/w	22500	140 lm/w	21000
180	90	618	150 lm/w	27000	140 lm/w	25200
200	90	618	150 lm/w	30000	140 lm/w	28000

The luminaire efficacies are the typical values, ±7% tolerance is reserved.

MAXI PLUS

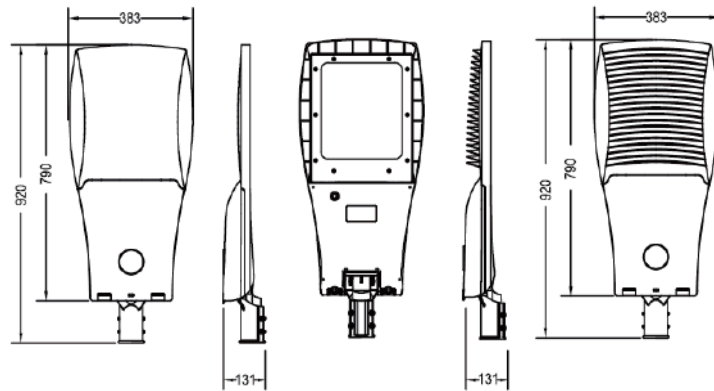


180 / 200



240 / 280 / 300

GA118-STB19



Basic

Light source brand : Osram / Lumileds
 Power brand : Inventronics / MOSO / Osram
 Insulation Class : Class I / Class II (optional)
 Protection Degree : IP66 / IK08
 Color Temperature : 3000 / 4000 / 5000 ± 300K
 5700 / 6500 ± 500K
 Pole Diameter : Ø 60mm / Ø42 / Ø76mm (optional)

Environment

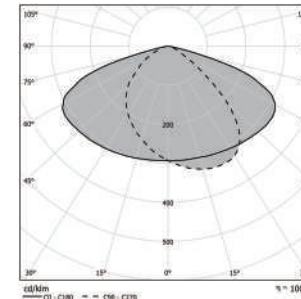
Operating Temperature: -40°C~ 50°C
 Operating Humidity: 10% ~ 90% RH
 Storage Temperature: -40°C~ 55°C

Electronics

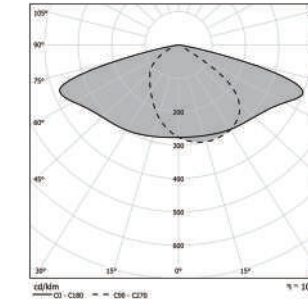
Rated Input Voltage: 100-277 V
 Frequency: 50/60Hz
 Power Factor: 0.95
 Surge Protection: 10kV / 20kV
 Control system: Photocontrol(NEMA)
 Timer Dimming / 0-10V Dimming
 /DALI Dimming / Solar Compatible (optional)

Structure

Max Projected Area: 0.27m²
 Housing Material: Die-casting Aluminum
 luminaire Dimension: 920×383×131 mm
 Packing Dimension: 890×470×220 mm
 Net Weight: 11.0 ± 0.2 Kg / 12.5 ± 0.2 Kg
 Gross Weight: 12.5 ± 0.2 Kg / 14.0 ± 0.2 Kg



540



618

Model Options

3030 Light source

Power (W)	LED QTY (pcs)	Light Distribution	4000K Ra70@Ta=25°C		3000K Ra70@Ta=25°C	
			Luminaire Efficiency	Luminous Flux	Luminaire Efficiency	Luminous Flux
180	180	540	125 lm/w	22500	117 lm/w	21060
200	216	540	125 lm/w	25000	117 lm/w	23400
240	240	540	125 lm/w	30000	117 lm/w	28080
280	288	540	125 lm/w	35000	117 lm/w	32760

5050 Light source

Power (W)	LED QTY (pcs)	Light Distribution	4000K Ra70@Ta=25°C		3000K Ra70@Ta=25°C	
			Luminaire Efficiency	Luminous Flux	Luminaire Efficiency	Luminous Flux
180	56	618	140 lm/w	25200	130 lm/w	23400
200	56	618	140 lm/w	28000	130 lm/w	26000
240	72	618	140 lm/w	33600	130 lm/w	31200
280	90	618	140 lm/w	39300	130 lm/w	36400

Power (W)	LED QTY (pcs)	Light Distribution	4000K Ra70@Ta=25°C		3000K Ra70@Ta=25°C	
			Luminaire Efficiency	Luminous Flux	Luminaire Efficiency	Luminous Flux
180	84	618	150 lm/w	27000	140 lm/w	25200
200	84	618	150 lm/w	30000	140 lm/w	28000
240	108	618	150 lm/w	36000	140 lm/w	33600
280	144	618	150 lm/w	42000	140 lm/w	39200
300	144	618	150 lm/w	45000	140 lm/w	42000

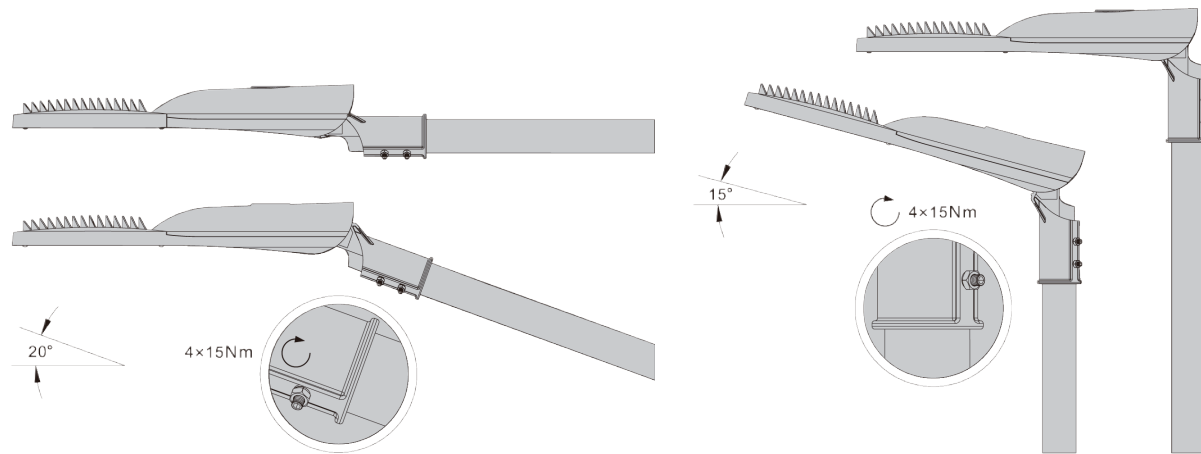
The luminaire efficacies are the typical values, ±7% tolerance is reserved.

Adapter



Spigot

- Dual-purpose spigots for side entry and post top installation -20°to + 15°maximum tilt steps in 5°
- Constructed from robust die-casting aluminum
- Stainless steel bolts
- 42 / 60 / 76 mm diameter options cater for existing or newly fabricated light poles



Controller



NEMA Control

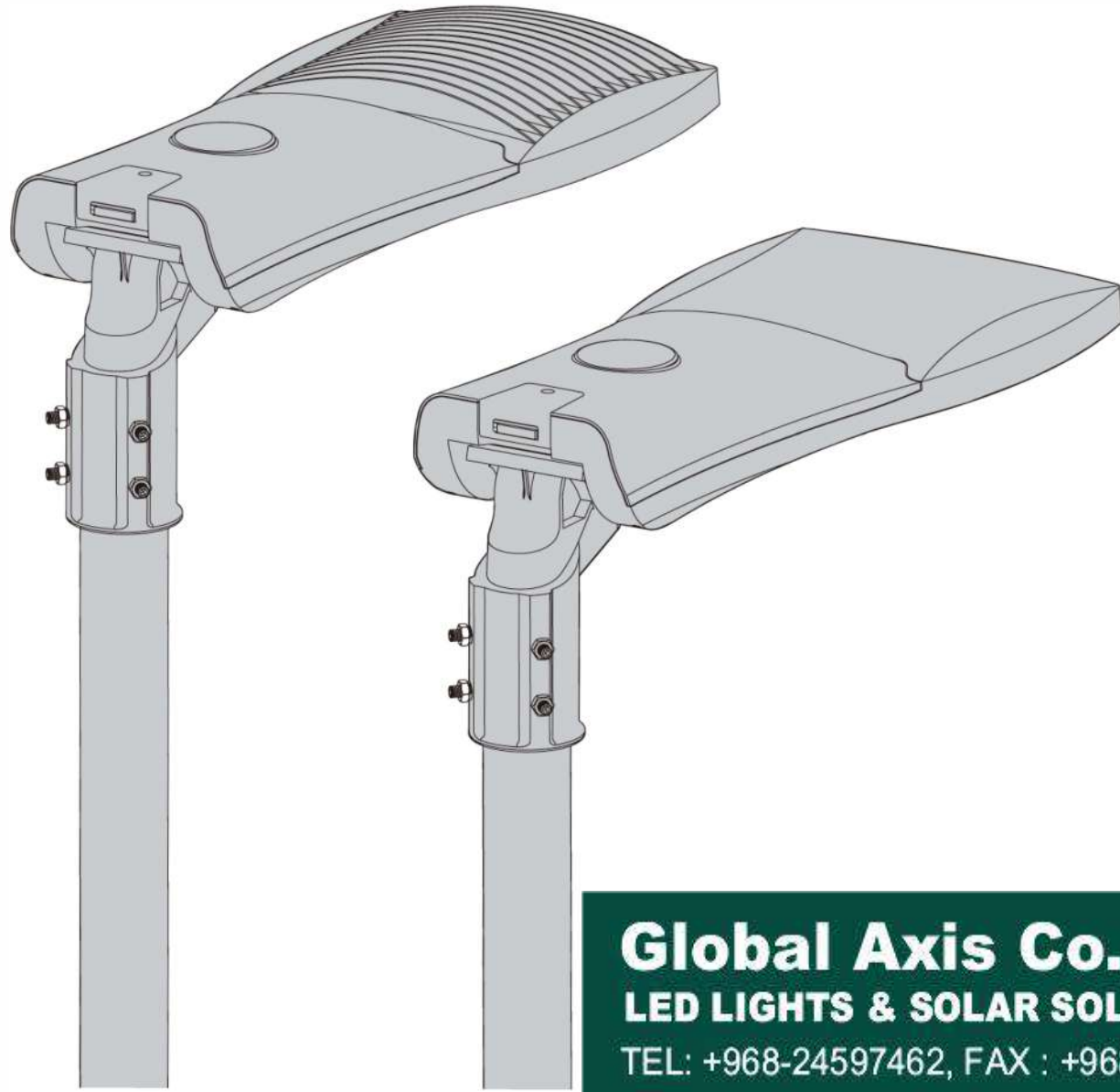


ZHAGA Control

Features

- With PWM and 0-10V dimming interfaces
- Acquiring data like current, voltage, power and power factor
- Analyzing and reporting of power consumption and energy saving
- Monitoring and detecting the status of LED luminaire
- Automatic faulty reporting function
- With surge protection
- IP65 rated

Communication Interface	Communication Method	Communication Distance	Dimming Signal
NEMA	LoRa / ZigBee NB / 4G LTE	LoRa: 1000M ZigBee: 200M NB: ∞ 4G LTE: ∞	PWM 0-10v
ZHAGA	NB / 4G LTE	NB: ∞ 4G LTE: ∞	DALI 0-10v



Global Axis Co. LLC (HQ Oman)
LED LIGHTS & SOLAR SOLUTIONS

TEL: +968-24597462, FAX : +968-24597463

TOLL FREE : 8000 3000

info@gaxisintl.com
www.gaxisintl.com